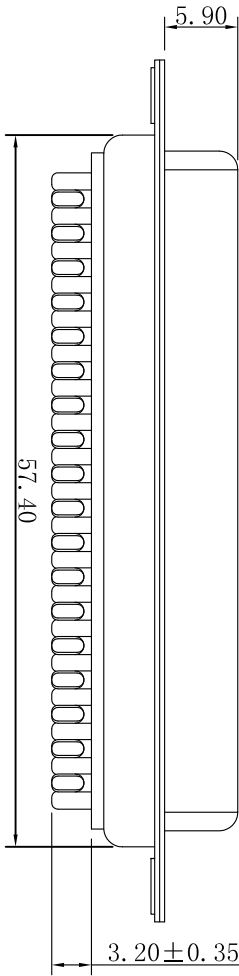
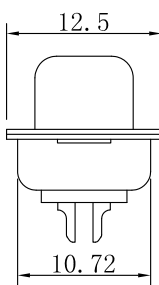
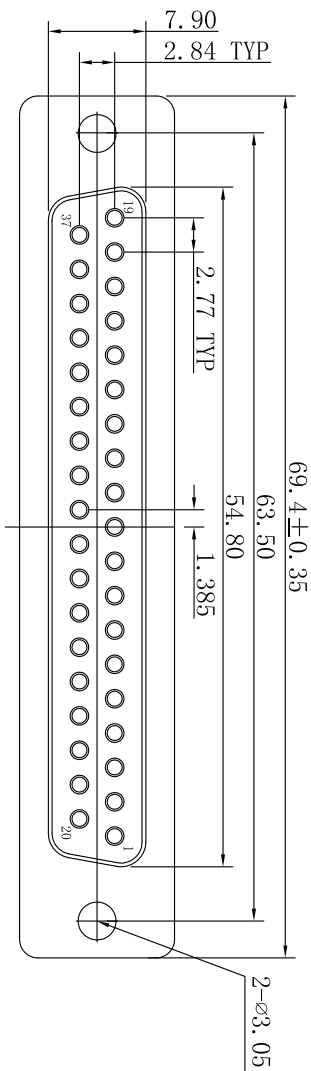
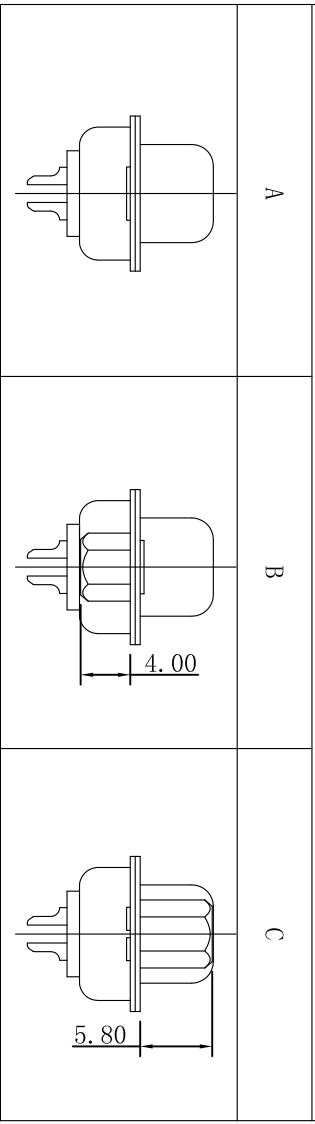


GP Component

REV.	ECN NO.	LOCATIONS	DESCRIPTION	DATE	DESIGN
AO			原始版本(INITIAL EDITION)	2020.12.01	m t



Specification Type



CHARACTERISTICS/特性:

- RATED VOLTAGE: 250V AC CD
- RATED CURRENT: 3.0AMP
- CONTACT RESISTANCE: 30mΩ Max.
- INSULATION RESISTANCE: 1000 MΩ MIN. 500V DC
- Electric Pressure: Keeping 60 second in AC 500V/1mA
- Operating temperature: -55°C~105°C
- INSERTION/EXTRACTION FORCE PER CONTACT: 12.5Kg Max 1.1Kg Min.

01.DB0037 F X XXX XX A XXX

PIN Poles	37:37PIN				
M/F Differentiates	M=Male F=Female				
Hsg Color	1=Black 3=Blue 2=White 4=Green 5=Yellow 6=Purple				
Plating	G00:Gold flash G01:Gold 1U" G03:Gold 3U" Gxx:Gold XXU"				
	B00:Bright sn B01:Bright sn 1U" B03:Bright sn 3U" Bxx:Bright sn XXU"				
	M00:Matte sn M01:Matte sn 1U" M03:Matte sn 3U" Mxx:Matte sn XXU"				

	UNITS: mm [inch] TOLERANCE: X.X ±0.35 X.XX ±0.25 X.XXX ±0.15 Angle ±3.0°		东莞市跃展精密连接器有限公司 Dongguan YueZhan Precision Connectors Co.,Ltd
	DESIGN: 2020.12.01 CHECKED: 2020.12.01 APPROVED: 2020.12.01		
SCALE:1:1 SIZE:A4	PART NAME: DB 37E系列图	PART NO. 01.DB0037FXXXXXXXXXX	DRAW NO. 01 OF 01