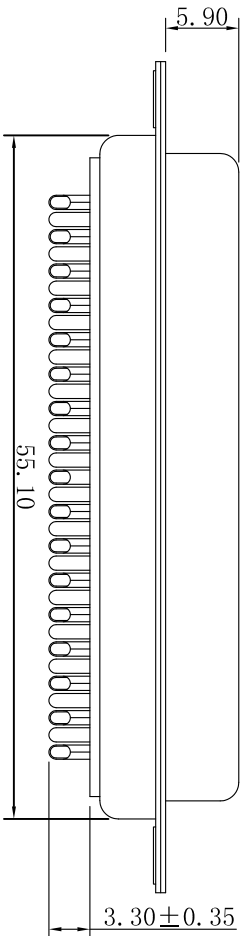
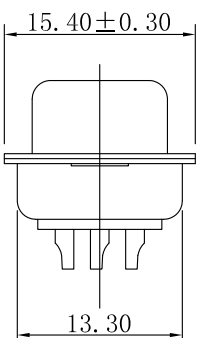
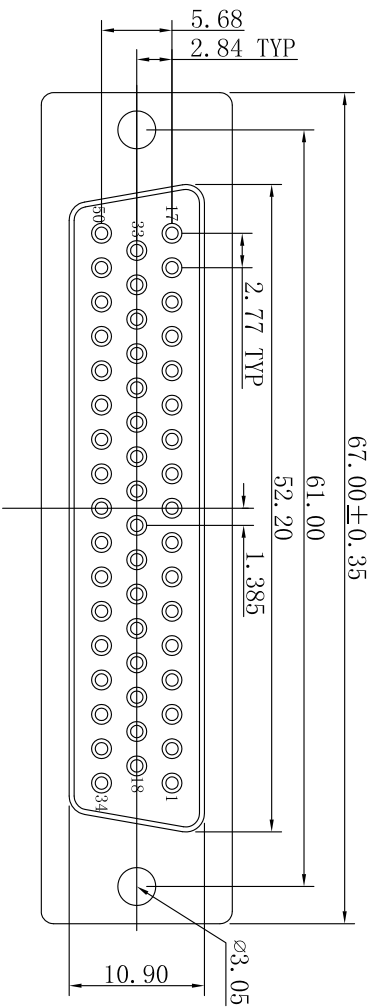
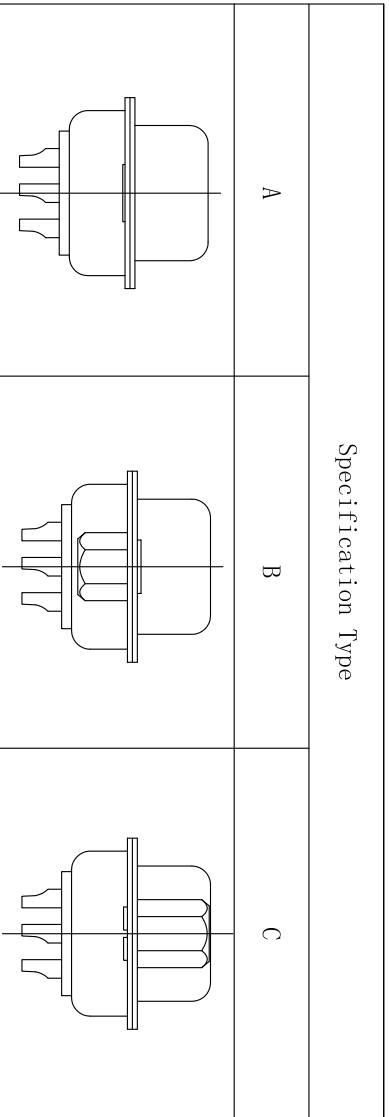


# GP Component

REV.	ECN NO.	LOCATIONS	DESCRIPTION	DATE	DESIGN
AO			原始版本(INITIAL EDITION)	2020.12.01	m t



## Specification Type



## CHARACTERISTICS/特性:

1. RATED VOLTAGE: 250V AC CD
2. RATED CURRENT: 3.0AMP
3. CONTACT RESISTANCE: 30mΩ Max.
4. INSULATION RESISTANCE: 1000 MΩ MIN. 500V DC
5. Electric Pressure: Keeping 60 second in AC 500V/1mA
6. Operating temperature: -55°C~105°C
7. INSERTION/EXTRACTION FORCE PER CONTACT: 14Kg Max 1.6Kg Min.

01.DB0050 F X XXX XX A XXX

PIN Poles	50:50PIN	M/F Differentiates	M=Male F=Female	Hsg Color	1=Black 2=White 3=Blue 4=Green 5=Yellow 6=Purple	Plating	G00:Gold flash G01:Gold 1U" G03:Gold 3U" Gxx:Gold XXU"	B00:Bright sn B01:Bright sn 1U" B03:Bright sn 3U" Bxx:Bright sn XXU"	M00:Matte sn M01:Matte sn 1U" M03:Matte sn 3U" Mxx:Matte sn XXU"	Water Code	H1=PB1 HF H4=PA66 HF 10=PB1 13=PA66	Specification Type	H2=PA6T HF H5=1CP 11=PA6T 14=PA46	Hsg Material	H3=PA9T HF H8=PA9T HF 12=PA9T
-----------	----------	--------------------	-----------------	-----------	--	---------	---	---	---	------------	--	--------------------	--	--------------	-------------------------------------

	DESIGN:	2020.12.01	 东莞市跃展精密连接器有限公司 Dongguan YueZhan Precision Connectors Co., Ltd	PART NAME:	DB 50F系列图
	CHECKED:	2020.12.01			PART NO.
TOLERANCE:	X.X ±0.35 X.XX ±0.25 X.XXX ±0.15 Angle ±3.0°	APPROVED:	2020.12.01	DRAW NO.	01 OF 01
SCALE:1:1	SIZE:A4			SHEET NO.	