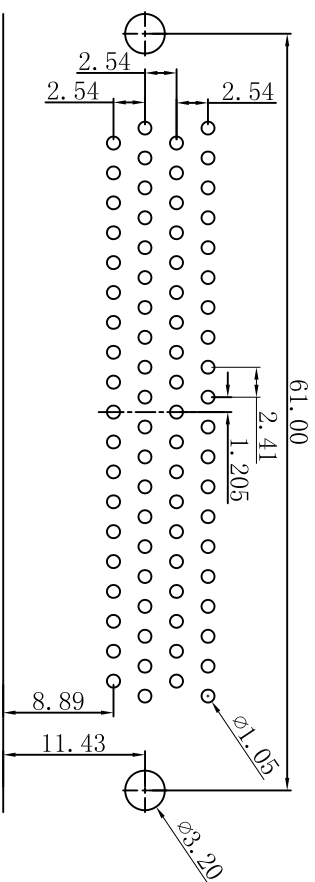
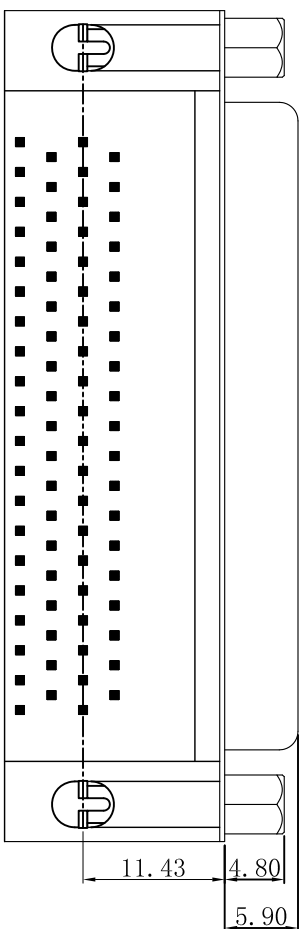
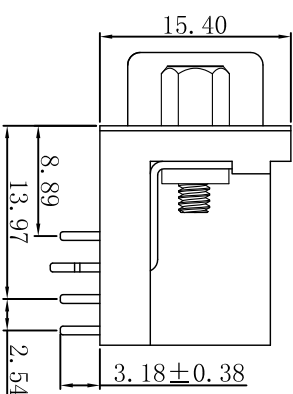
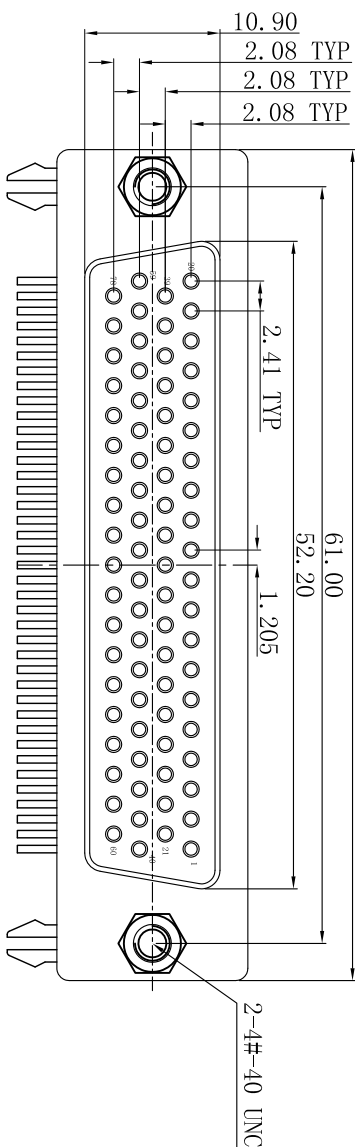


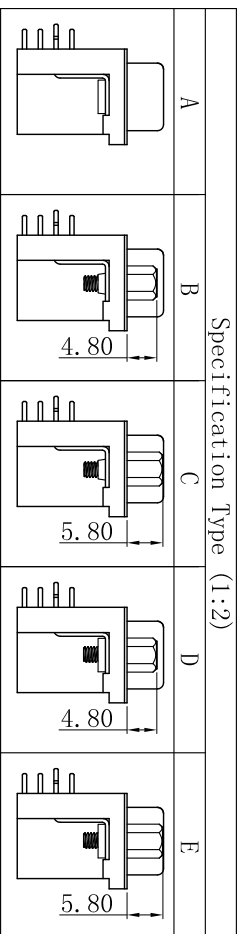
GP Component

67.00 ± 0.35



PCB layout

Specification Type (1:2)



REV.	ECN NO.	LOCATIONS	DESCRIPTION	DATE	DESIGN
A0			原始版本(INITIAL EDITION)	2021.01.05	m t

- CHARACTERISTICS:**
1. RATED VOLTAGE: 250V
 2. RATED CURRENT: 3.0AMP
 3. CONTACT RESISTANCE: 30mΩ Max.
 4. INSULATION RESISTANCE: 1000 MΩ MIN. 500V DC
 5. Electric Pressure: Keeping 60 second in AC 500V/1mA
 6. Operating temperature: -55°C~105°C
 7. INSERTION/EXTRACTION FORCE PER CONTACT: 17.6Kg Max 1.45Kg Min.

01.HDR878 F X XXX XX D XXX

PIN Poles	78:78PIN	M/F Differentiates	M=Male F=Female	Hsg Color	1=Black 3=Blue 2=White 4=Green 6=Purple	Plating	G00:Gold flash G01:Gold 1U" G03:Gold 3U" Gxx:Gold XXU"	B00:Bright sn B01:Bright sn 1U" B03:Bright sn 3U" Bxx:Bright sn XXU"	M00:Matte sn M01:Matte sn 1U" M03:Matte sn 3U" Mxx:Matte sn XXU"	Water Code	Specification Type	Hsg Material

<p>东莞市跃展精密连接器有限公司 Dongguan YueZhan Precision Connectors Co., Ltd</p>	DESIGN: 牟 2021.01.05	PART NAME: HDR 78F系列图
	CHECKED: 牟 2021.01.05	PART NO. 01.HDR878FXXXXXX
	APPROVED: 牟 2021.01.05	DRAW NO.
	SCALE:1:1 SIZE:A4	SHEET NO. 01 OF 01